

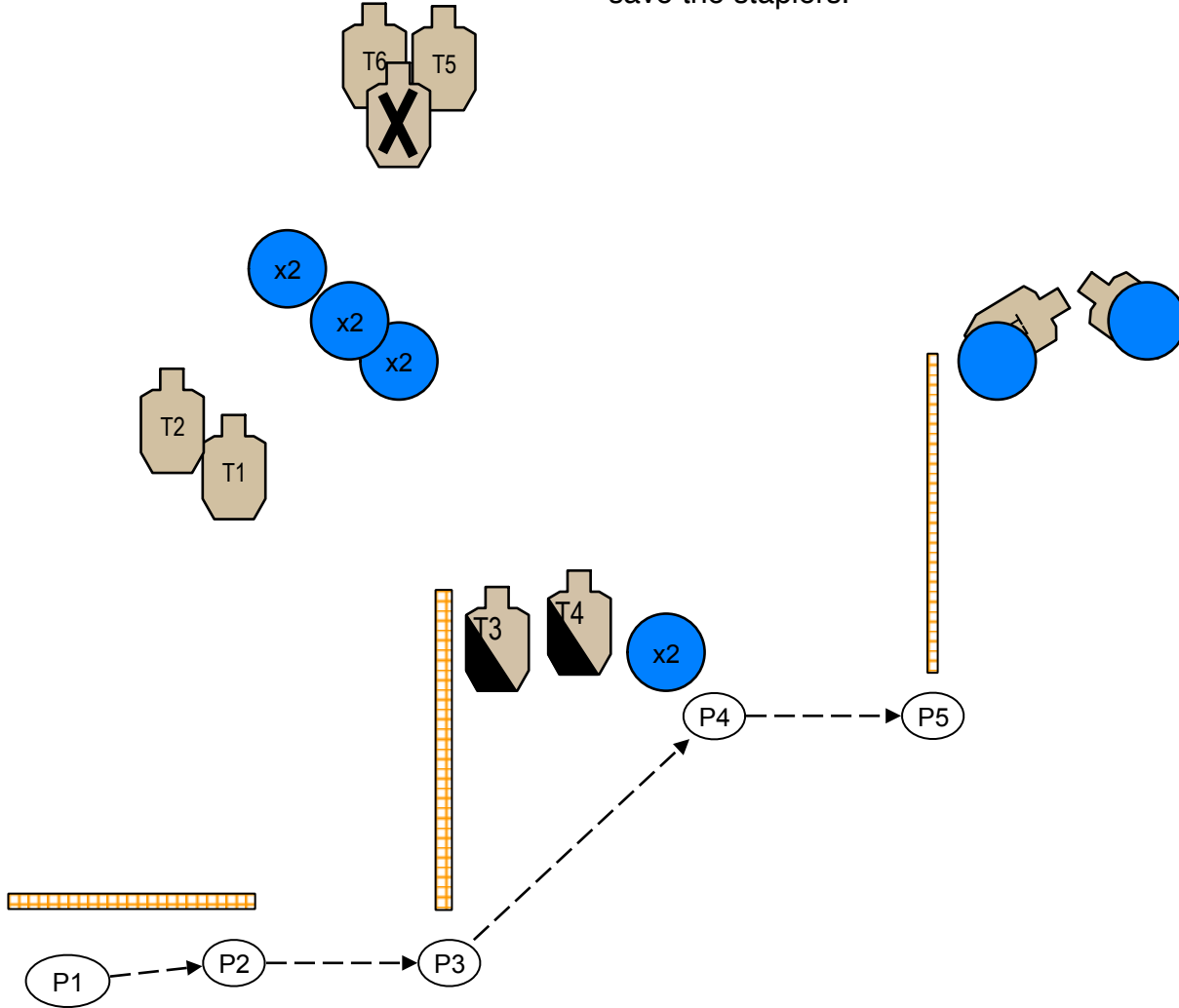


Tri-County Sportsman's League IDPA Scenario
March 2014

Stage #1
Bay 1
3/22/14

“Office Takeover”

You come back to the office to find a gang has taken over. It’s up to you to clear the space and save the staplers.

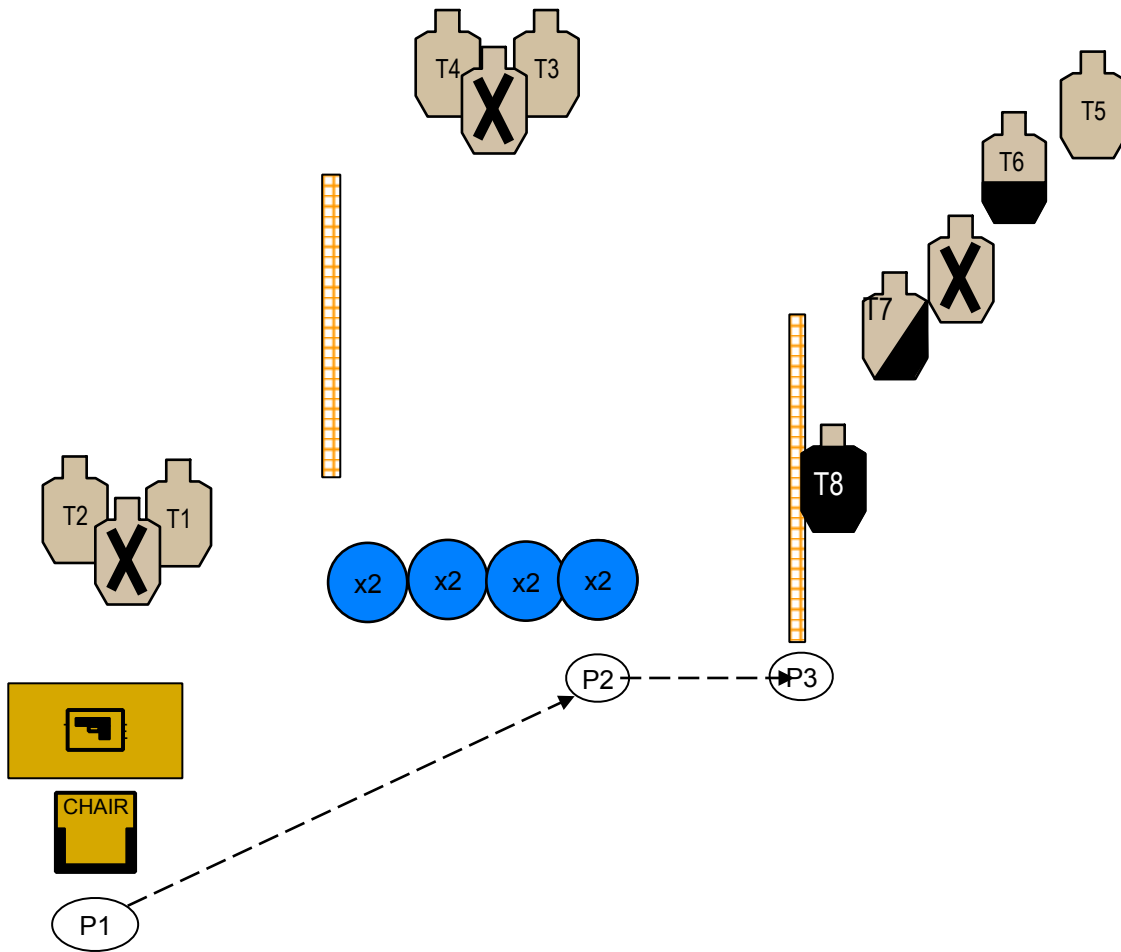


Concealment:	Yes	Pistol:	Loaded and holstered	Scoring:	Vickers
Style:	Freestyle	Reload:	IDPA Approved	Min. Rounds:	16
Start:	Standing at P1 hands relaxed at sides				
At Signal:	Move to P2 and engage T1 and T2 with 2 shots each in tactical priority Move to P3 and engage T3 and T4 with 2 shots each in tactical priority At P4 engage T5 and T6 with 2 shots each in tactical priority Move to P5 to engage T7 and T8 with 2 shots each in tactical priority				
**Notes:	180 degree muzzle safe plane rule in effect				



“Home Invasion”

You've just cleaned your gun when you are confronted by a roving group of thugs. Retrieve your gun and defend your home.



Concealment:	Optional	Pistol:	Loaded and in a box on the table	Scoring:	Vickers
Style:	Freestyle	Reload:	IDPA Approved	Min. Rounds:	16
Start:	Seated at P1 hands on the table - both knees under table and back against chair.				
At Signal:	While seated at P1, remove pistol from box and engage T1 and T2 in tactical sequence 2 shots each Proceed to P2 and engage T3 - T4 in tactical priority, 2 shots each Proceed to P3 and engage T5 - T8 in tactical priority, 2 shots each				
**Notes:	180 degree muzzle safe plane rule in effect				

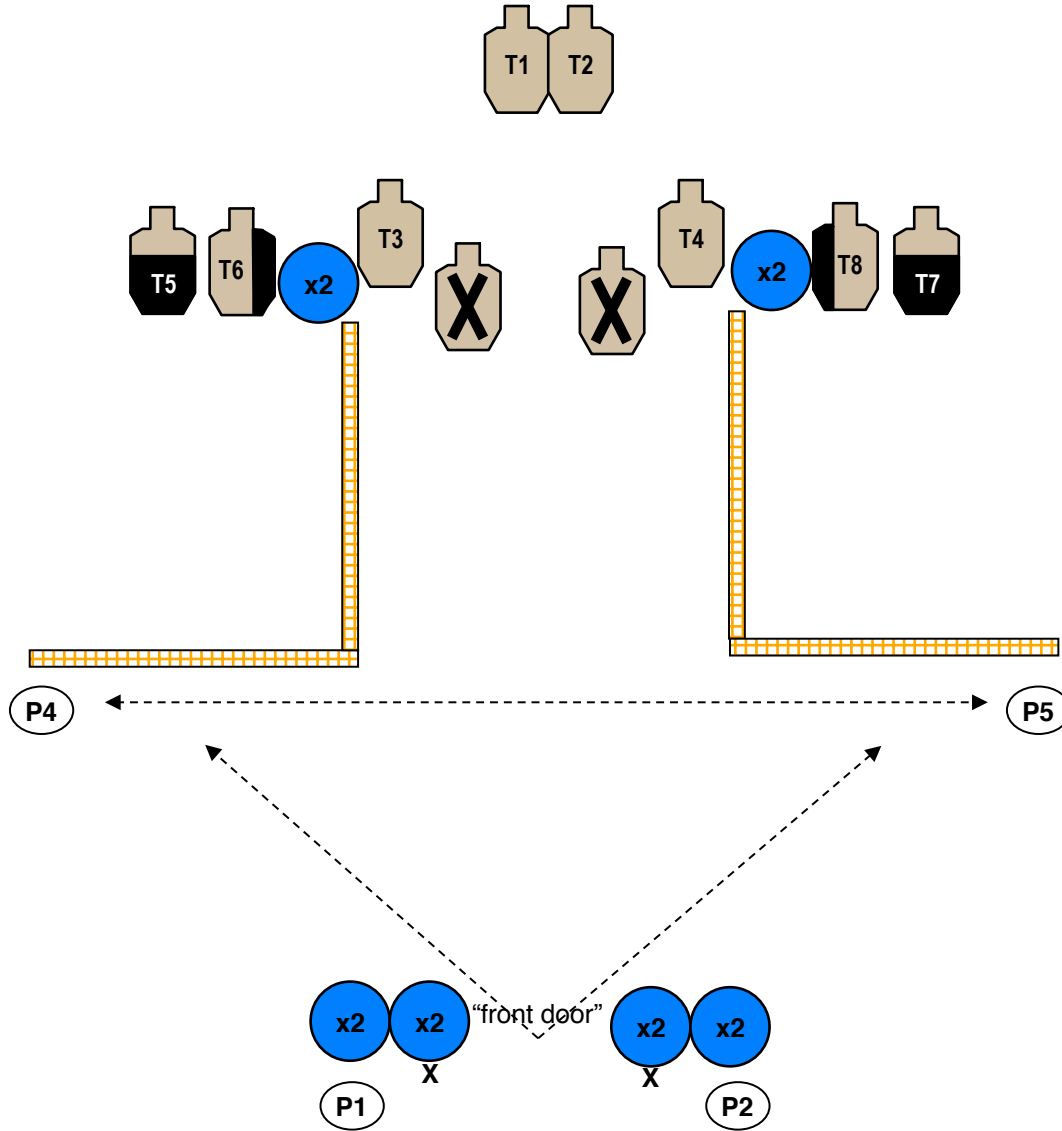


Tri-County Sportsman's League IDPA Scenario

Arrive Home Late

Arrive home from work late at night to a dark house, front door has been forced open.
Clear the rooms of the house and protect your family inside.

Stage #3
Bay 3
3/22/14

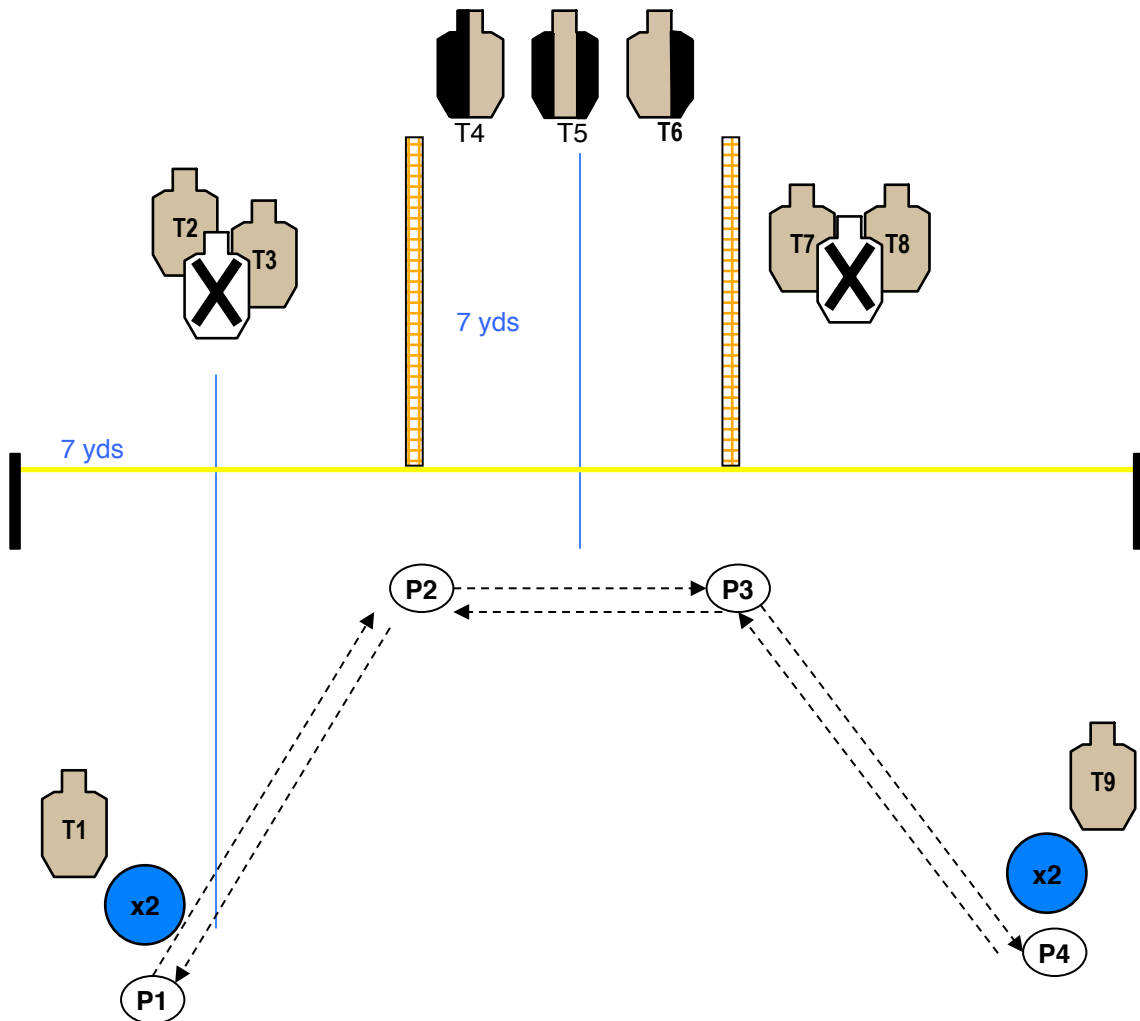


Concealment:	Yes	Pistol:	Loaded and holstered	Scoring:	Vickers
Style:	Freestyle	Reload:	IDPA Approved	Min. Rounds:	16
Start:	Standing at P1 or P2/"front door", flash light in weak hand, strong hand on X mark/"door knob".				
At Signal:	Engage targets T1-T4 through door (between barrels), enter through door and move to P4 or P5, engage targets, move to other side (P4 or P5), engage targets. All targets must be engaged from cover, tactical priority, two rounds each. T5 & T6 must be engaged from P4. T7 & T8 must be engaged from P5.				
**Notes:	Flashlight will be provided, and only this flashlight may be used. Flashlight must be in your hand while engaging targets. 180-degree muzzle safe plane rule is in effect.				



Tri-County Sportsman's League IDPA Scenario
Strong and weak on the move
 Standard stage

Stage #4
Mar 22, 2014
BAY 4



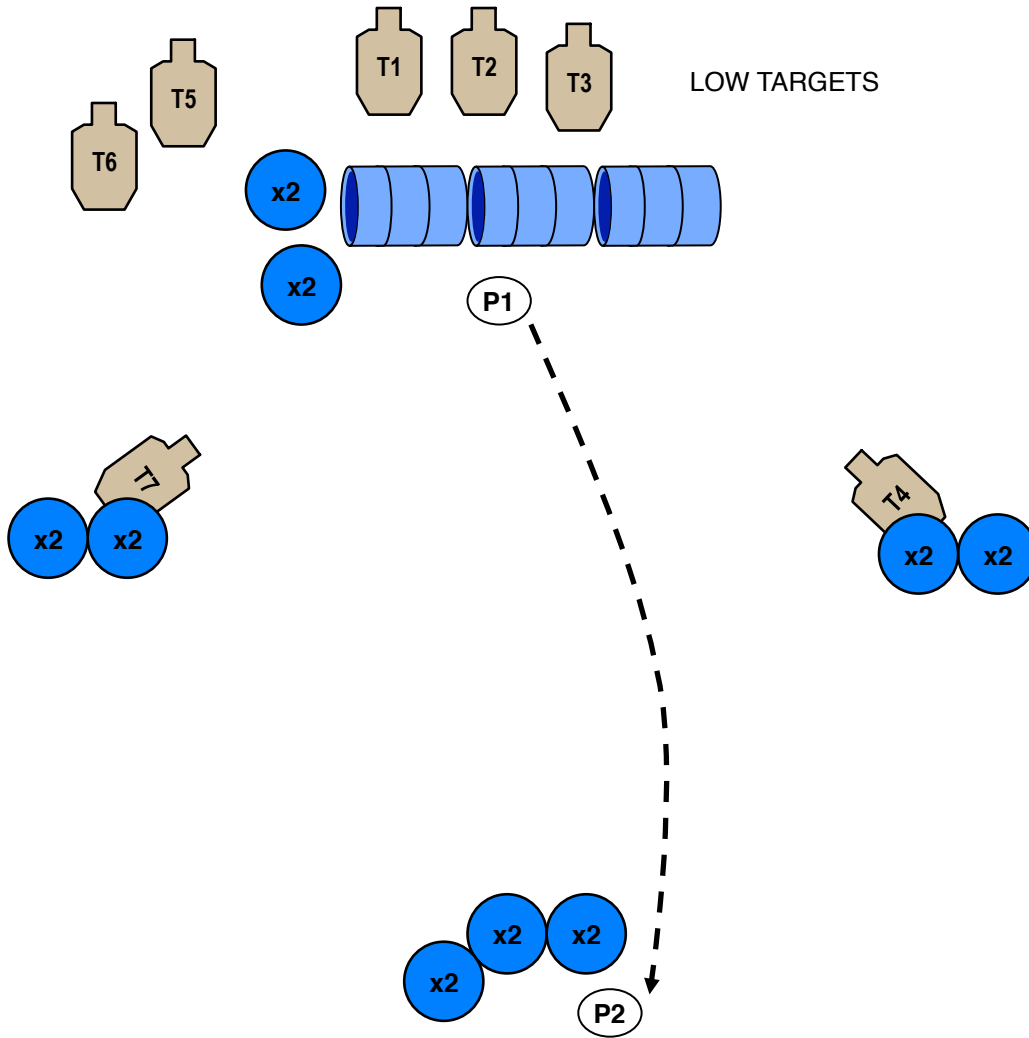
Concealment:	Yes	Pistol:	In support hand	Scoring:	Vickers limited
Style:	Support/strong hand.	Reload:	Reduced	Min. Rounds:	18
Start:	Standing at P1 with gun in support hand.				
At Signal:	Move from P1 to P4 and engage T1-T9 with 1 shot. each All shots except for T1 and T9 are done on the move. Reload and switch to strong hand and retrace steps from P4 to P1 engaging T9 to T1 with 1 shot each again all targets except T9 and T1 are done on the move.				
**Notes:	Shooter start stage with two mags loaded with 9 rounds each. Shooter may not go downrange past yellow safety line when shooting targets. Left hand shooter start at P4. 180 degree Muzzle Safe Plane rule in effect.				



Tri-County Sportsman's League IDPA Scenario
Fishing Trip

Stage #5
BAY 5
3/22/14

You are out on a fishing trip – save yourself from angry anglers



Concealment:	Yes	Pistol:	Loaded / Holstered	Scoring:	Vickers
Style:	Freestyle	Reload:	IDPA approved	Min. Rounds:	14
Start:	Standing at P1, hands at side. Gun is loaded to 6 rounds.				
At Signal:	At signal engage T1-T3 in tactical sequence while retreating to P2. Engage the remaining targets (T4 – T7) with 2 rounds each from P2 using cover and tactical priority				
**Notes:	180 degree Muzzle Safe Plane rule in effect. T6 and T7 are engaged last and in any order.				